

SNO-6084R

2M Network IR Bullet Camera

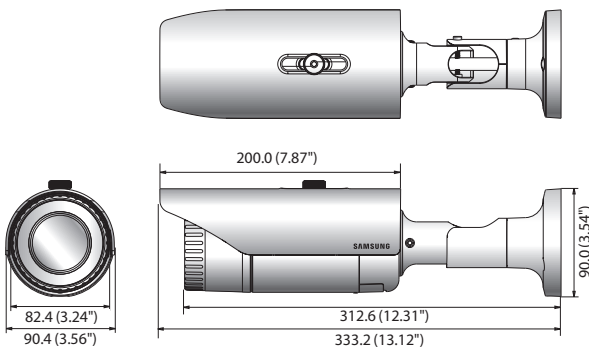


Key Features

- Max. 2megapixel (1920 x 1080) resolution
- 0.03Lux@F1.2 (Color), 0Lux@F1.2 (B/W : IR LED on)
- 3 ~ 8.5mm (2.8x) motorized varifocal lens
- H.264, MJPEG dual codec, Multiple streaming
- WDR (120dB), Simple focus (Motorized V/F), P-Iris, Defog
- Audio / Face / Motion detection
- micro SD/SDHC/SDXC memory slot (4GB included)
- Multi-crop streaming
- IR LED (20ea), PoE, UPnP, IP66, IK10, Bi-directional audio support

Dimensions

Unit : mm (inch)



* Data recorded on an SD memory card may be lost or damaged by data access during power-off, mechanical shock, memory card detachment, or other operations. Data loss or damage can also occur when a memory card reaches end of life, which varies according to operational conditions. No guarantee is given against damage (including passive damage).

SNO-6084RN/P

VIDEO	
Imaging Device	1/2.8" 2.38M CMOS (IMX136)
Total Pixels	1,952(H) x 1,116(V)
Effective Pixels	1,944(H) x 1,104(V)
Scanning System	Progressive
Min. Illumination	Color : 0.1Lux (F1.2, 50IRE), 0.0017Lux (2sec, F1.2, 50IRE), 0.03Lux (F1.2, 30IRE) B/W : 0Lux (F1.2, 50IRE, IR LED on), 0Lux (F1.2, 30IRE, IR LED on)
S / N Ratio	50dB
Video Output	CVBS : 1.0Vpp / 75Ω composite, 704 x 480(N), 704 x 576(P), for installation DIP connector type
LENS	
Focal Length (Zoom Ratio)	3 ~ 8.5mm (2.8x) motorized varifocal
Max. Aperture Ratio	F1.2
Angular Field of View	H : 105.5°(Wide) ~ 37.1°(Tele) / V : 57.5°(Wide) ~ 21.0°(Tele)
Min. Object Distance	0.5m (1.64ft)
Focus Control	Simple focus (Motorized V/F) / Manual, Remote control via network (Manual, Simple focus)
Lens Type	DC auto iris, P-Iris
Mount Type	Board-in type
OPERATIONAL	
IR LED / Viewable Length	20ea / 30m (98.43ft)
Camera Title	Off / On (Displayed up to 45 characters)
Day & Night	Auto (ICR) / Color / B/W / External / Schedule
Backlight Compensation	Off / BLC
Wide Dynamic Range	120dB
Contrast Enhancement	SSDR (Off / On)
Digital Noise Reduction	SSNR III (2D+3D noise filter) (Off / On)
Digital Image Stabilization	Off / On
Defog	Off / Auto / Manual
Motion Detection	Off / On (4ea 4 points polygonal zones)
Privacy Masking	Off / On (32 zones with 4 points of polygonal)
Gain Control	Off / Low / Middle / High
White Balance	ATW / AWC / Manual / Indoor / Outdoor
Electronic Shutter Speed	Minimum / Maximum / Anti flicker
Flip / Mirror	Off / On
Intelligent Video Analytics	Tampering, Virtual line, Enter / Exit, (Dis)Appear, Audio detection, Face detection
Alarm I/O	Input 1ea / Output 1ea
Alarm Triggers	Motion detection, Tampering, Audio detection, Face detection, Video analytics, Network disconnection, Alarm input
Alarm Events	File upload via FTP and E-mail, Notification via E-mail, Local storage (SD/SDHC/SDXC) or NAS recording at Event (Alarm triggers), External output
NETWORK	
Ethernet	RJ-45 (10/100BASE-T)
Video Compression Format	H.264 (MPEG-4 part 10/AVC), MJPEG
Resolution	1920 x 1080, 1280 x 1024, 1280 x 960, 1280 x 720, 1024 x 768, 800 x 600, 800 x 450, 640 x 480, 640 x 360, 320 x 240, 320 x 180
Max. Framerate	H.264 : Max. 60fps at all resolutions MJPEG : 1920 x 1080, 1280 x 1024, 1280 x 960, 1280 x 720, 1024 x 768 : Max. 15fps 800 x 600, 800 x 450, 640 x 480, 640 x 360, 320 x 240, 320 x 180 : Max. 30fps
Video Quality Adjustment	H.264 : Compression level, Target bitrate level control, MJPEG : Quality level control
Bitrate Control Method	H.264 : CBR or VBR, MJPEG : VBR
Streaming Capability	Multiple streaming (Up to 10 profiles)
Audio In	Selectable (Mic in / Line in), Max output level : 1 Vrms Supply voltage : 2.5V DC (4mA), Input impedance : approx. 2K Ohm
Audio Out	Line out (3.5mm stereo mini jack)
Audio Compression Format	G.711 u-law/G.726 selectable, G.726 (ADPCM) 8KHz, G.711 8KHz G.726 : 16Kbps, 24Kbps, 32Kbps, 40Kbps
Audio Communication	Bi-directional audio
IP	IPv4, IPv6
Protocol	TCP/IP, UDP/IP, RTP(UDP), RTP(TCP), RTCP, RTPSP, NTP, HTTP, HTTPS, SSL/TLS, DHCP, PPPoE, FTP, SMTP, ICMP, IGMP, SNMPv1/v2c/v3(MIB-2), ARP, DNS, DDNS, QoS, PIM-SM, UPnP, Bonjour
Security	HTTPS(SSL) login authentication, Digest login authentication IP address filtering, User access log, 802.1x authentication
Streaming Method	Unicast / Multicast
Max. User Access	15 users at unicast mode
Edge Storage	micro SD/SDHC/SDXC (4GB included) - Motion images recorded in the SD/SDHC/SDXC memory card can be downloaded. NAS (Network Attached Storage)
Application Programming Interface	ONVIF profile S/G, HTTP API (SUNAPI) 2.0, S/NP 1.2
Webpage Language	English, French, German, Spanish, Italian, Chinese, Korean, Russian, Japanese, Swedish, Danish, Portuguese, Turkish, Polish, Czech, Rumanian, Serbian, Dutch, Croatian, Hungarian, Greek, Norwegian, Finnish
Web Viewer	Supported OS : Windows XP / VISTA / 7 / 8 / 8.1, MAC OS X 10.7 Supported Browser : Microsoft Internet Explorer (Ver. 11 ~ 8) Mozilla Firefox (Ver. 19 ~ 9) * Windows only Google Chrome (Ver. 25 ~ 15) * Windows only Apple Safari (Ver. 6.0.2(Mac OS X 10.8, 10.7 only), 5.1.7) * Mac OS X only
Central Management Software	SmartViewer
ENVIRONMENTAL	
Operating Temperature / Humidity	24V AC : -50°C ~ +55°C (-58°F ~ +131°F) / Less than 90% RH 12V DC, PoE : -20°C ~ +55°C (-4°F ~ +131°F) / Less than 90% RH * Start up should be done at above -10°C (+14°F)
Storage Temperature / Humidity	-30°C ~ +60°C (-22°F ~ +140°F) / Less than 90% RH
Ingress Protection	IP66
Vandal Resistance	IK10
ELECTRICAL	
Input Voltage / Current	24V AC ±10%, 12V DC ±10%, PoE (IEEE802.3af)
Power Consumption	Max. 11W (Heater off), Max. 17W (24V AC - Heater on)
MECHANICAL	
Color / Material	Dark gray / Aluminum
Dimensions (WxHxD)	82.4 x 82.4 x 312.6mm (3.24" x 3.24" x 12.31") (Without sunshield)
Weight	1.19Kg (2.62 lb) (With sunshield)

* This product in compliance with SMPTE274M/296M standard.

* The latest product information / specification can be found at <http://security.hanwhatechwin.com>